



## Tery **MARINE** – Professional Pumps for Marine Use



With a Company Ethos of continuous Improvement and the innovation of manufacturing materials. Teryair have developed New Product Ranges allowing us to enter new markets and offer pumping solutions for more applications. To simplify the Introduction of these new products? Teryair have broken down their Portfolio into segments.

What was the original Teryair range Has now been branded as TeryMarine. This range is still the most popular. and has a multitude of applications. Not just for Marine, this range is also the 'workhorse' of the AODD range. All The TeryMarine range are ATEX compliant, for hazardous environments.

### 1/2" Aluminium

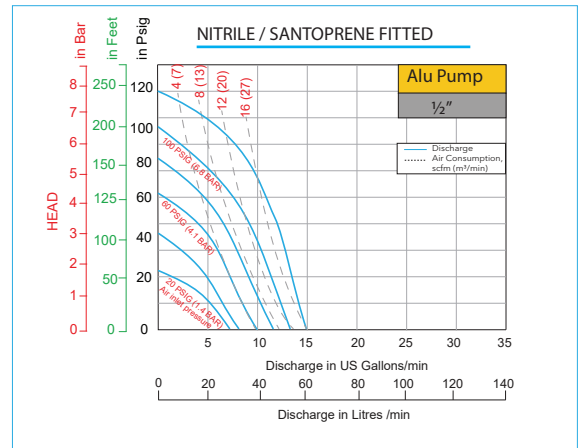


1/2" Aluminium  
IMPA 591605

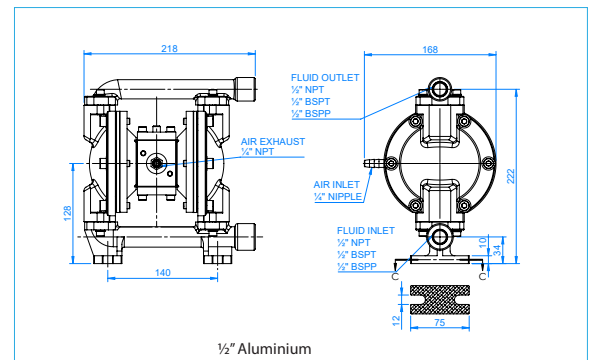
### Technical Data

Pump Size	1/2"	1"	1-1/2"	2"	3"	
Air Inlet, NPT	1/2" Nipple	1/4"	1/2"	3/4"	3/4"	
Max. Size Solids mm (Inch)	1.6 (1/16")	3.2 (1/8")	4.8 (3/16")	6.4 (1/4")	9.5 (3/8")	
Max. Flow Rate lpm (gpm)	27 (6.5)	122 (32)	285 (75)	591 (155)	878 (232)	
Weight, Kgs (Lbs)	Aluminum	4.4 (9.7)	9.1 (20)	15 (33)	26.5 (58)	52.5 (115.5)
	Stainless Steel	13.6 (30)	23.2 (51)	23.2 (51)	42 (92)	-
Max. Suction Lift Dry M(Ft)	5.5 (18)	5.5 (18)	5.5 (18)	6.4 (21)	5.5 (18)	
Max. Suction Lift Wet M(Ft)	9.5 (31)	9.5 (31)	8.5 (28)	8.5 (28)	9.5 (31)	

### Performance Graphs - Nitrile/Santoprene



### Dimensions in mm - Aluminium



### Pump Nomenclature

Position	1	2	3	4	5	6	7	8	9	10	11
Example:	TM	12	A	B	X	R	E	X	A	X	X
Example: TM12-ABX-GEX-AXX											
Position 1 Range	Position 2 Size	Position 3 Body	Position 4 Diaphragm/ Valve	Position 5 Back Up	Position 6 Port	Position 7 Port Position	Position 8 Speciality Code	Position 9 Safety Code	Position 10 Sanitary Code	Position 11 Speciality Code	
TM- Marine	12 - 1/2" 25 - 1" 40 - 1-1/2" 50 - 2" 75 - 3"	A - Aluminium S - Stainless Steel	B - Buna (Nitrile) T - PTFE S - Santoprene N - Neoprene	B - Buna (Nitrile) I - Integrated Buna S - Santoprene N - Neoprene X - None	G - BSPT R - NPT	C - Centre* Ported E - End* Ported *As per Picture Only	P - Pulse Dampener R - Remote Solenoid Driven T - Trolley Mounted X - None	A - ATEX/ IECEx	X - None	*S - Speed Controller C - Cycle Counter D - Diaphragm Monitoring X - None	