

Good for large area deck descaling, these machines have easy to change rotary drums. Depending on the thickness of the coating layer or corrosion layer one can select a suitable drum type. The cut height is further adjustable by a handwheel during operation. The machines are designed such that the drums can be quickly interchanged on the job with minimum time and tools. Various pneumatic and electric motor options are available.

**Features**

- Easy to change drums.
- Drum options, cutter drum for heavy chipping action, leaf drum for light chipping action and wire brush drum for final finishing action.
- Drum to ground engagement height is easily adjustable dynamically with a handwheel.
- Electric or pneumatic versions available.

**Applications**

- Marine, removal of old rust, paint, or coatings from decks, platforms, floors and surfaces.
- Construction industry, preparation of concrete surfaces to create effective bonds with subsequent layering. Edge removal and smoothing.



**PRDS 84**

**ERDS 84**

**Technical data**

<b>IMPA code</b>	590406	590409	590409A	590409B	590409C
<b>Teryair Model No</b>	PRDS-84	ERDS84-220V3	ERDS84-440V	ERDS84-110V	ERDS84-220V
<b>Scaling System</b>	Rotary scaling system				
<b>Number of Scaling Heads</b>	63 pcs of striking blades or 60 pcs of cutter gear				
<b>Motor</b>	6VMLALEXR	AC 220V 3 Ph	AC 440V 3 Ph	AC 110V 1 Ph	AC 220V 1Ph
<b>rpm</b>	3000		3470		
<b>Scaling Width mm</b>	280		280		
<b>Weight kgs</b>	75.0	75.0	75.0	75.0	75.0

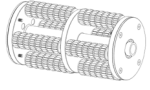
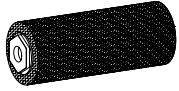
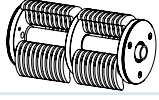

**Package dimensions and weights**


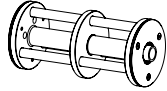


Teryair Model No	Weight kgs	Box Dimensions cms
PRDS84	80.0	125 x 61 x 66
ERDS84 Series	80.0	125 x 61 x 66

**Standard equipment included assembled**

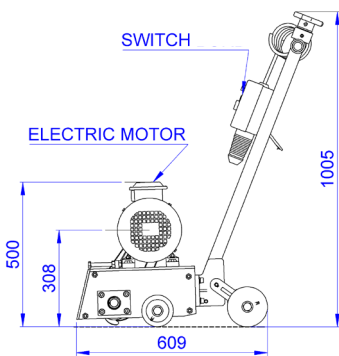
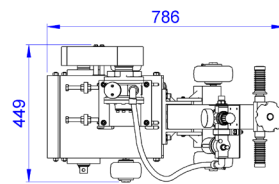
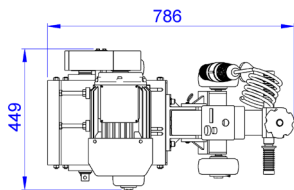
6539701 - Cutter blade assembly.

**Accessories & spares**

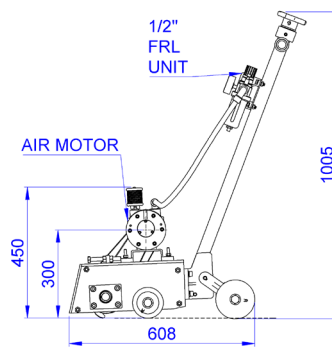
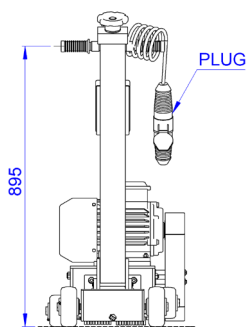
	6539702 - Cutter gear assembly
	59.04.18 - Wire wheel brush
	6539701 Cutter blade assembly
	59.12.56 - Cutter

	340.347 - Leafs
	6539711 - Bare drum with lock plates
	Washer
	Pin

**Dimension drawing**



**ERDS 84**



**PRDS 84**

