

Hub

Foot

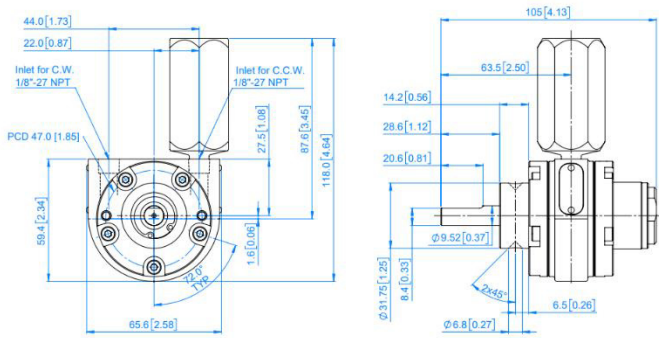
IEC

TECHNICAL DATA

RELEASED:13/09/2024
 REVISED:
 REV: 00

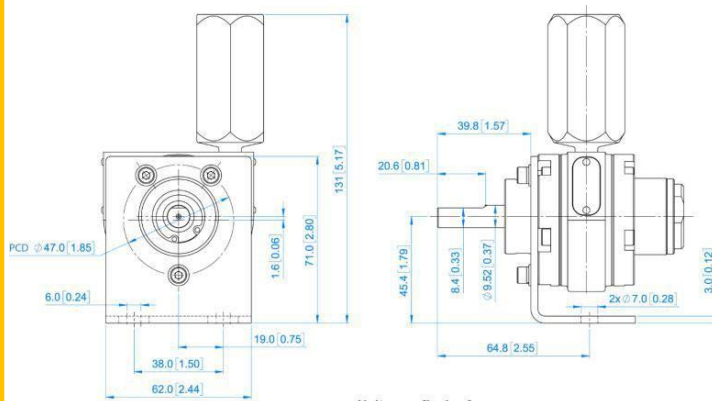
1VM-UNIDIRECTIONAL PNEUMATIC VANE MOTOR

DIMENSIONAL DATA - HUB MOUNTING 1VM

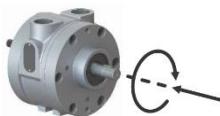


Unit:- mm [inches]

DIMENSIONAL DATA - FOOT MOUNTING 1VM



Unit:- mm [Inches]
 1VMS (FOOT)



Clockwise

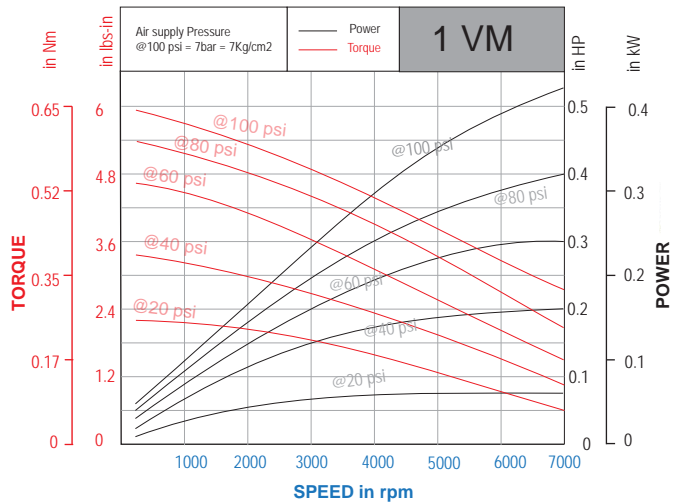


Anti-Clockwise

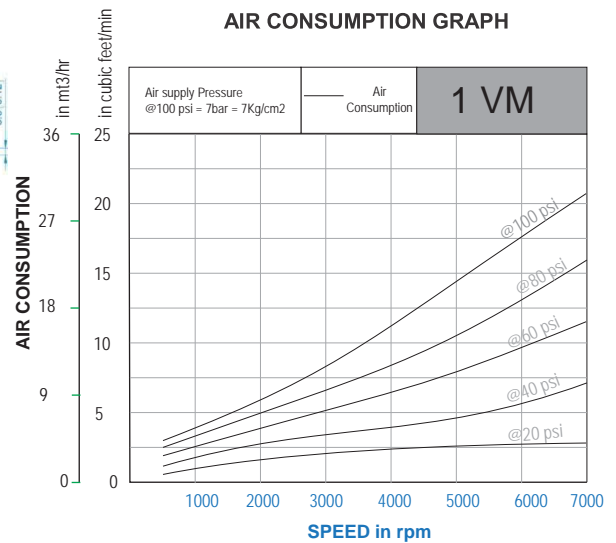
PERFORMANCE DATA

Max Output Power	0.33kW (0.45hp)
Speed at Max Power	7000 RPM
Maximum Torque	0.78Nm (0.69lb-In)
Air Consumption at Max Power	35.1m ³ /hr (20.5cfm)
Ambient Safe Operating Temperature	
• Non Explosive Zone	0°C to 120°C
• Explosive Zone	0°C to 40°C
Maximum Allowable Operating Speed In any Direction	7500 RPM
Working Pressure	7kg/cm ² (100 psi)

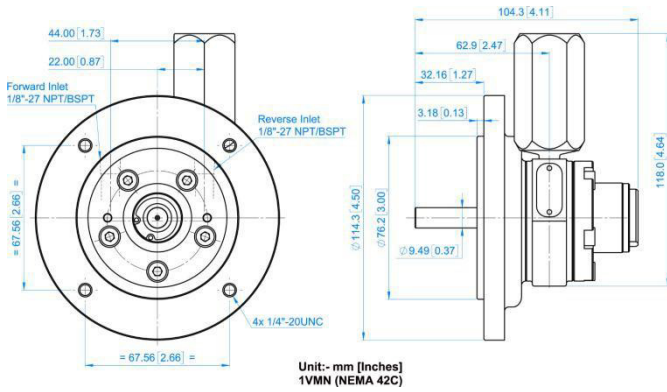
POWER & TORQUE GRAPH



AIR CONSUMPTION GRAPH



DIMENSIONAL DATA - NEMA FLANGE MOUNTING 1VM



WEIGHTS & FINISH

Air Motor Type	Weight	Finish
Hub Mounting	1.0 kgs (2.2 lbs)	Silver
Foot Mounting	1.1 kgs (2.1 lbs)	Silver
Nema Mounting	1.7 kgs (3.7 lbs)	Silver

AIR MOTOR NOMENCLATURE

Size	Motor Type	Mounting	Lubricated or Lube-Free	Material of Construction	Explosion Proof	Threading on Inlet and Outlet	Direction of Rotation	No of Vanes
1	VM- Vane Type	L- Face Type	A- Lubricated	L - SG Iron	EX	R- NPT	C - Clockwise	4
2		S- Foot Type		S - SS		G - BSPT	A - Anticlockwise	6
4		T - Hub		A - Aluminum		P - BSPP	R - Reversible	8
6		D - IEC Flange Type	O - Lube Free					
8		N - NEMA Flange Type						
16								

MODEL NUMBERS

1VM-Anti-Clockwise	1VM-Clockwise
1VMT ALEX RA4 TE	1VMT ALEX RC4 TE
1VMS ALEX RA4 TE	1VMS ALEX RC4 TE
1VMN ALEX RA4 TE	1VMN ALEX RC4 TE
1VMT ALEX GA4 TE	1VMT ALEX GC4 TE
1VMS ALEX GA4 TE	1VMS ALEX GC4 TE
1VMN ALEX GA4 TE	1VMN ALEX GC4 TE



II 2GD Ex h IIC T6 Gb
II 2GD Ex h IIIC T85° C Db