

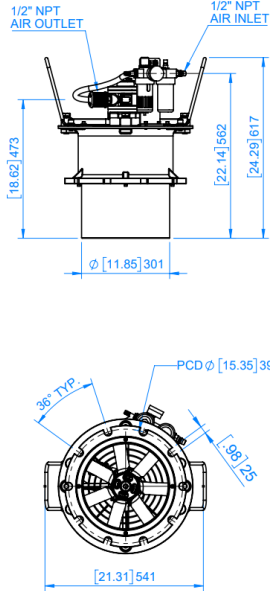
# TECHNICAL DATA

RELEASED: 19/09/2024  
 REVISED:  
 REV: 00

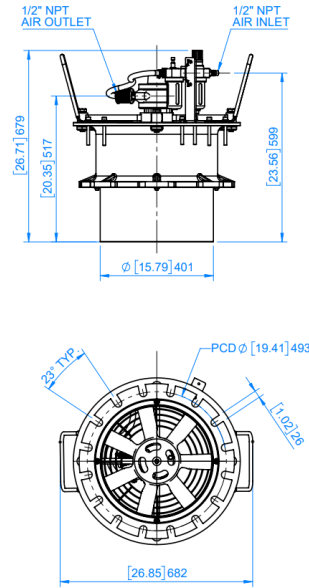
## Air Driven Fans – PTF300 / PTF400

### DIMENSIONAL DATA

#### PTF-300



#### PTF-400



NOTE: Dimensions are shown in [inch] mm

### PERFORMANCE DATA

#### Outlet Bore Dia

PTF-300	[11.81inch] 300mm
PTF-400	[15.75inch] 400mm

#### Air Flow

PTF-300	0-130m <sup>3</sup> /min
PTF-400	0-210m <sup>3</sup> /min

#### Air Pressure

PTF-300	6.2bar (90psig)
PTF-400	6.2bar (90psig)

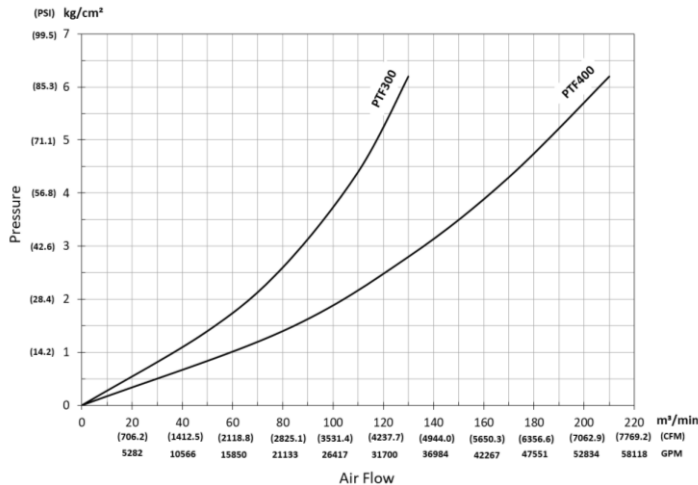
#### Air Consumption

PTF-300	3.1m <sup>3</sup> /min
PTF-400	3.8m <sup>3</sup> /min

#### Air inlet & Outlet

PTF-300	1/2" NPT
PTF-400	1/2" NPT

### PERFORMANCE GRAPH



### MATERIAL OF CONSTRUCTION

PARTS	MOC	
	PTF300	PTF400
Housing	Aluminium	
Air Motor	SGI (400/15)	
Fan	Aluminium	
Inlet/Outlet	Aluminium	
Grill	Stainless Steel (316)	
Fasteners	Stainless Steel (302)	
	High Tensile Steel	

### WEIGHTS & FINISH

Air Driven Fans	Weight	Finish
PTF-300	32 kgs (70 lbs)	Silver
PTF-400	42 kgs (92.6 lbs)	Silver