

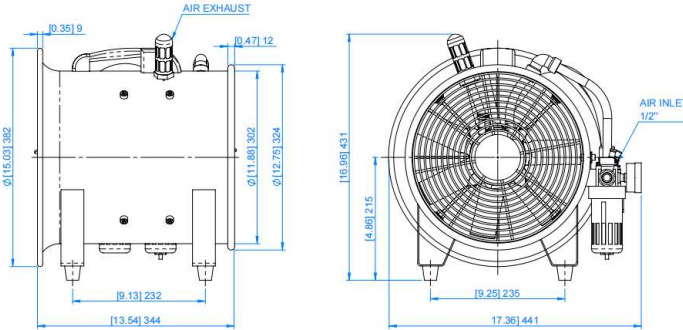


TECHNICAL DATA

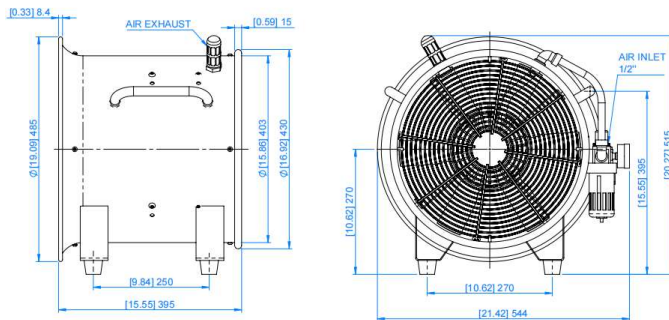
RELEASED: 05/10/2024
 REVISED:
 REV: 00

Air Driven Fans – PVF300 / PVF400

DIMENSIONAL DATA – PVF300



DIMENSIONAL DATA – PVF400



NOTE: Dimensions are shown in [inch] mm

PERFORMANCE DATA

Casing Dia

PVF-300 [11.81inch] 300mm

PVF-400 [15.75inch] 400mm

Air Flow

PVF-300 0-60m³/min

PVF-400 0-145m³/min

Air Pressure

PVF-300 6.2bar (90psig)

PVF-400 6.2bar (90psig)

Air Consumption

PVF-300 1.98m³/min

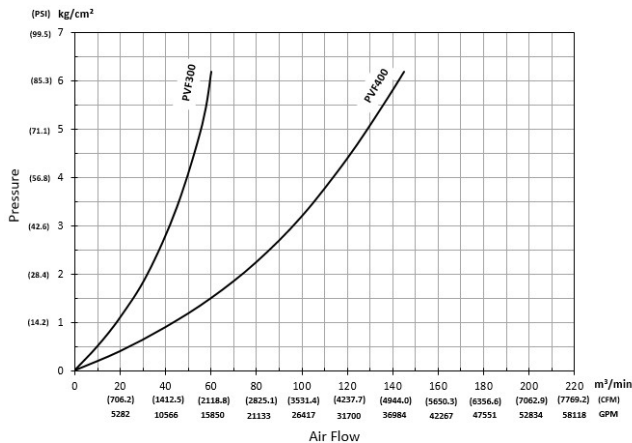
PVF-400 2.43m³/min

Air inlet & Outlet

PVF-300 1/2" NPT

PVF-400 1/2" NPT

PERFORMANCE GRAPH



MATERIAL OF CONSTRUCTION

PARTS	MOC	
	PVF300	PVF400
Housing	M.S. (Powder coated)	
Air Motor	SGI (400/15)	
Fan	Aluminium	
Grill	Stainless Steel (316)	
Fasteners	Stainless Steel (302)	

WEIGHTS & FINISH

Air Driven Fans	Weight	Finish
PVF-300	32 kgs (70 lbs)	RAL 1004, Yellow ■
PVF-400	42 kgs (92.6 lbs)	RAL 1004, Yellow ■