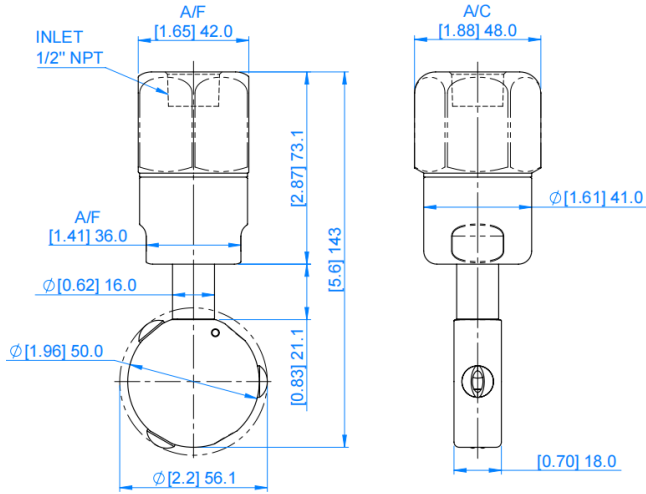


# TECHNICAL DATA

RELEASED: 05/10/2024  
 REVISED:  
 REV: 00

## Tank Cleaner – TC40 / TC60

### DIMENSIONAL DATA

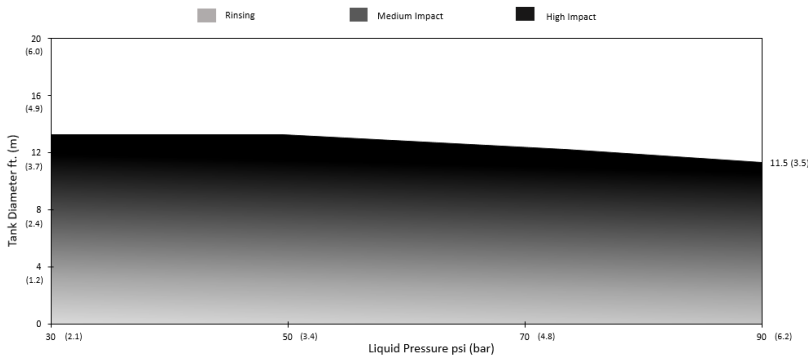


NOTE: Dimensions are shown in [inch] mm

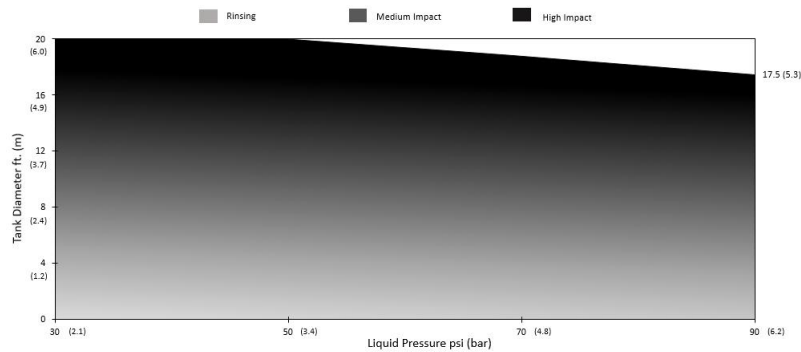
### PERFORMANCE DATA

Tank Cleaner	TC40	TC60
Max. Tank Diameter	13.1 ft (4 m)	19.7 ft (6 m)
Operating Principle	Fluid-driven Constant Speed	
Flow Rate	2.62 - 15.94 gpm (9.84 - 60.68 lmp)	3.91 - 23.79 gpm (14.64 - 90.28 lmp)
Operating Pressure	30 – 90 psi (2.1 – 6.2 bar)	
Max. Temperature	160°F (70°C)	
Inlet Connection	½" NPT	

### CLEANING EFFECTIVENESS – TC40



### CLEANING EFFECTIVENESS – TC60



### MATERIAL OF CONSTRUCTION

Parts	TC40 / TC60
Body	Stainless Steel (316L)
Bush	PTFE

### WEIGHTS & FINISH

Tank Cleaner	Weight	Finish
TC40	0.81 kgs (1.78 lbs)	Natural
TC60	0.89 kgs (1.96 lbs)	Natural

### SPRAYING COVERAGE

