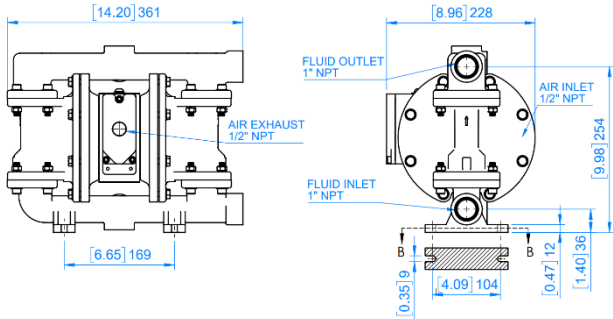


TECHNICAL DATA

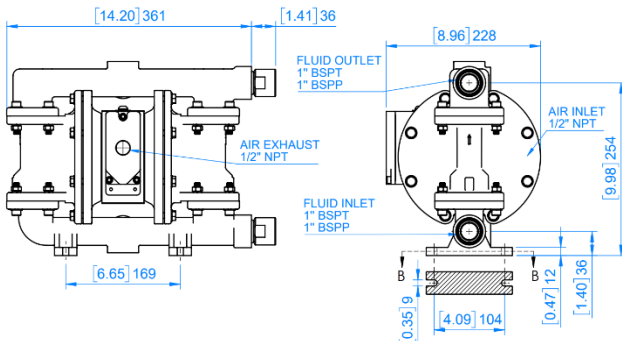
RELEASED: 14/09/2024
 REVISED:
 REV: 00

Teryair 1" Diaphragm Pump TeryPro Aluminium & Stainless Steel

DIMENSIONAL DATA - NPT

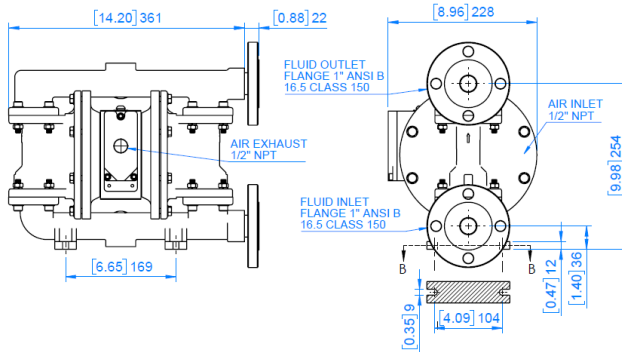


DIMENSIONAL DATA - BSPT/BSPP



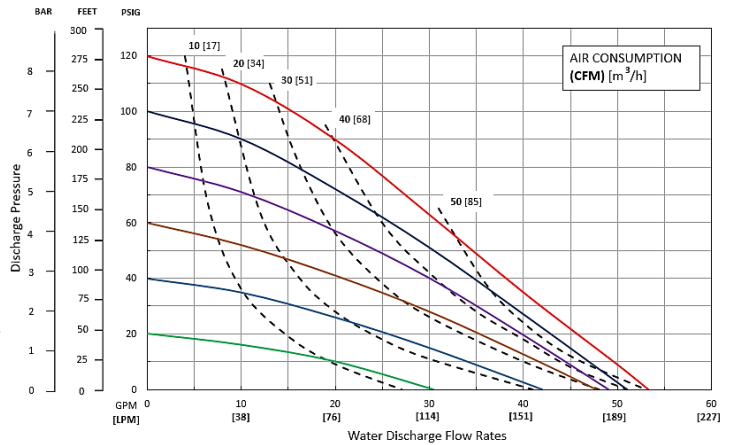
NOTE: Only for Aluminium models. SS models have BSPP/BSPT Threads inbuilt.

DIMENSIONAL DATA - FLANGED

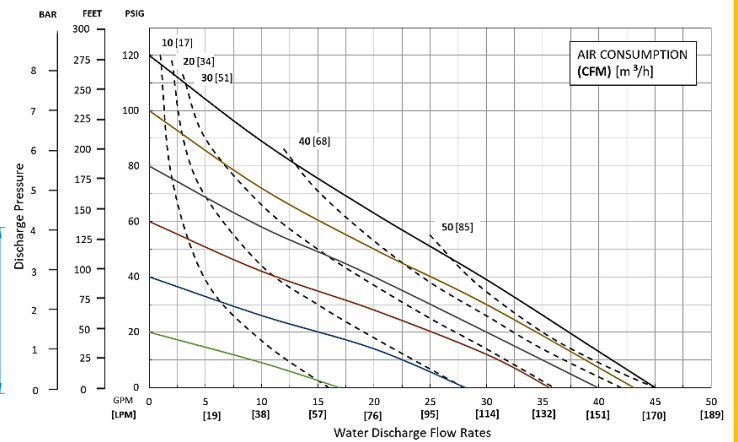


NOTE: Dimensions are shown in [inch] mm

PERFORMANCE GRAPH SANTOPRENE / BUNA N



PERFORMANCE GRAPH PTFE



WEIGHTS & FINISH

Pump Type	Weight	Finish
Aluminium Construction	24 lbs (11 kgs)	RAL 1004, Yellow ■
Stainless Steel Construction	51 lbs (23 kgs)	Natural
Aluminium Construction, Flanged	26.5 lbs (12.0 kgs)	RAL 1004, Yellow ■
Stainless Steel Construction, Flanged	57.5 lbs (26.1 kgs)	Natural

MATERIAL OF CONSTRUCTION

PARTS	MOC	
	Aluminium Series	Stainless Steel Series
Wetted Parts	Aluminium (LM6/ LM4)	Stainless Steel (CF8M)
Diaphragms/ Balls	Buna N PTFE Santoprene PTFE-FDA	
Seals	Buna N Santoprene PTFE-FDA Viton Encapsulated PTFE	
Ball Seats	Aluminium (AA6061/ 6063)	Stainless Steel (SS316L)
Air Valve Body	Aluminium (AA6061/ 6063)	Stainless Steel (CF8M)
Piston	Polyacetal	
Fasteners	Stainless Steel (304)	
O Rings & Seal Rings	Bronze Filled PTFE Buna N	

PERFORMANCE DATA

Ratio	1:1
Air Inlet Pressure Range	10-120 psig (0.69 – 8.0 bar)
Maximum Material Inlet Pressure	10 psig (0.69 bar)
Fluid Outlet Pressure Range	10-120 psig (0.69 – 8.0 bar)
Maximum Flow Rate (Buna N/Santo)	53.1 g.p.m. (201 lpm)
Maximum Flow Rate (PTFE)	46.2 g.p.m. (175 lpm)
Displacement / Cycle @ 100 psig	0.082 gal. (0.31 lit)
Maximum Particle Size	1/4" dia. (6.4 mm)
Wet Suction (Buna N/Santo)	29.8 ft (9.1 mtr)
Wet Suction (PTFE)	28.5 ft (8.7 mtr)
Dry Suction (Buna N/Santo)	16.7 ft (5.1 mtr)
Dry Suction (PTFE)	17.3 ft (5.3 mtr)

MAXIMUM TEMPERATURE LIMITS

(Diaphragm/Ball/Seat Material)

Buna N	10° to 180° F (-12 to 82° C)
Santoprene	-40° to 350° F (-40° to 177° C)
PTFE	40° to 225° F (4° to 107° C)
PTFE-FDA	40° to 225° F (4° to 107° C)

PUMP NOMENCLATURE

Position	1	2	3	4	5	6	7	8	9	10	11
Example	TP	25	A	B	X	G	E	X	A	X	X
Example: TP25-ABX-REX-AXX											
Position 1 Range	Position 2 Size	Position 3 Body	Position 4 Diaphragm/Valve	Position 5 Back up	Position 6 Port	Position 7 Port Position	Position 8 Speciality Code	Position 9 Safety Code	Position 10 Sanitary Code	Position 11 Speciality Code	
TP - Industrial	15 - 1/2" 25 - 1" 40 - 1-1/2" 50 - 2"	A - Aluminium S - Stainless Steel	B - Buna N T - PTFE S - Santoprene	S - Santoprene X - None	G - BSPT C - TriClamp BS 4825-3 F - Flanged ANSI/DIN R - NPT P - BSPP	C - Centre Ported, End Port Plugged E - End Ported Only	P - Pulse Dampener R - Remote Solenoid Driven T - Trolley Mounted X - None	A - ATEX/IECEX	F - FDA / EN1935 X - None	S - Speed Controller C - Cycle Counter D - Diaphragm Monitoring X - None O - See foot note	

MODEL NUMBERS

Aluminium Pump		Stainless Steel Pump	
TP25-ABX-REX-AXX	TP25-ABX-RCX-AXX	TP25-SBX-REX-AXX	TP25-SBX-RCX-AXX
TP25-ABX-GEX-AXX	TP25-ABX-GCX-AXX	TP25-SBX-GEX-AXX	TP25-SBX-GCX-AXX
TP25-ABX-PEX-AXX	TP25-ABX-PCX-AXX	TP25-SBX-PEX-AXX	TP25-SBX-PCX-AXX
TP25-ABX-FEX-AXX	TP25-ASX-RCX-AXX	TP25-SBX-FEX-AXX	TP25-SSX-RCX-AXX
TP25-ASX-REX-AXX	TP25-ASX-GCX-AXX	TP25-SSX-REX-AXX	TP25-SSX-GCX-AXX
TP25-ASX-GEX-AXX	TP25-ASX-PCX-AXX	TP25-SSX-GEX-AXX	TP25-SSX-PCX-AXX
TP25-ASX-PEX-AXX	TP25-ATS-RCX-AXX	TP25-SSX-PEX-AXX	TP25-STS-RCX-AXX
TP25-ASX-FEX-AXX	TP25-ATS-GCX-AXX	TP25-SSX-FEX-AXX	TP25-STS-GCX-AXX
TP25-ATS-REX-AXX	TP25-ATS-PCX-AXX	TP25-STS-REX-AXX	TP25-STS-PCX-AXX
TP25-ATS-GEX-AXX		TP25-STS-GEX-AXX	
TP25-ATS-PEX-AXX		TP25-STS-PEX-AXX	
TP25-ATS-FEX-AXX		TP25-STS-FEX-AXX	