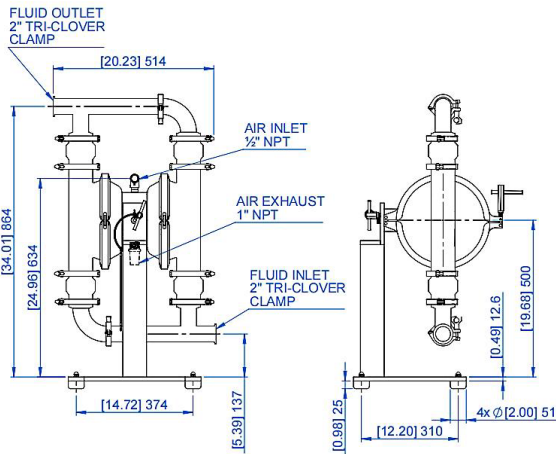




TECHNICAL DATA

RELEASED: 12/09/2024
 REVISED: 31/12/2024
 REV: 01

Teryair 2" Diaphragm Pump TerySan Stainless Steel



NOTE: Dimensions are shown in [inch] mm

PERFORMANCE DATA

Ratio	1:1
Air Inlet Pressure Range	10-120 psig (0.7-8.0 bar)
Maximum Material Inlet Pressure	10 psig (0.7 bar)
Fluid Outlet Pressure Range	10-120 psig (0.7-8.0 bar)
Maximum Flow Rate (FDA-EPDM)	148 g.p.m. (559 lpm)
Maximum Particle Size	0.43" dia. (11 mm)
Wet Suction (FDA-EPDM)	27.88 ft (8.5 mtr)
Dry Suction (FDA-EPDM)	12.8 ft (3.8 mtr)

NOTE: Performance data is based on pump tested with water.

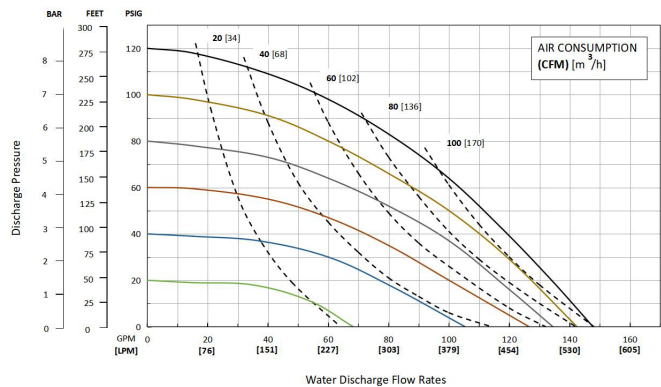
MAXIMUM TEMPERATURE LIMITS (Diaphragm/Ball/Seat Material)

FDA-EPDM	-4° to 170° F (-20° to 80° C)
FDA-Silicon	-70° to 446° F (-60° to 230° C)
FDA-PTFE	40° to 225° F (4° to 107° C)

MATERIAL OF CONSTRUCTION

PARTS	MOC
Wetted Parts	Stainless Steel (316L)
Diaphragms	FDA-EPDM
Balls	FDA-PTFE
Seals	FDA-Silicon
Ball Seats	Stainless Steel (316L)
Tri-Clamp	Stainless Steel (316L)
Fasteners	Stainless Steel (304)

PERFORMANCE GRAPH FDA-EPDM



WEIGHTS & FINISH

Pump Type	Weight	Finish
Stainless Steel Construction (316L)	134.5 lbs (61 kgs)	Mirror Buff to $\leq 0.8\mu\text{m}$

MODEL NUMBER

Stainless Steel Pump
TS50-S0X-CEX-AFX

PUMP NOMENCLATURE

Position	1	2	3	4	5	6	7	8	9	10	11
Example	TS	50	S	O	X	C	E	X	A	F	X
Example: TS50-SOX-CEX-AFX											
Position 1 Range	Position 2 Size	Position 3 Body	Position 4 Diaphragm/Valve	Position 5 Back up	Position 6 Port	Position 7 Port Position	Position 8 Speciality Code	Position 9 Safety Code	Position 10 Sanitary Code	Position 11 Speciality Code	
TS - Sanitary	50 - 2"	S - Polished Stainless 316	O - FDA-EPDM	X - None	C - TriClamp BS 4825-3	E - End Ported X - None	P - Pulse Dampener R - Remote Solenoid Driven T - Trolley Mounted X - None	A - ATEX/IECEX X - None	F - FDA / EN1935	S - Speed Controller C - Cycle Counter D - Diaphragm Monitoring X - None	