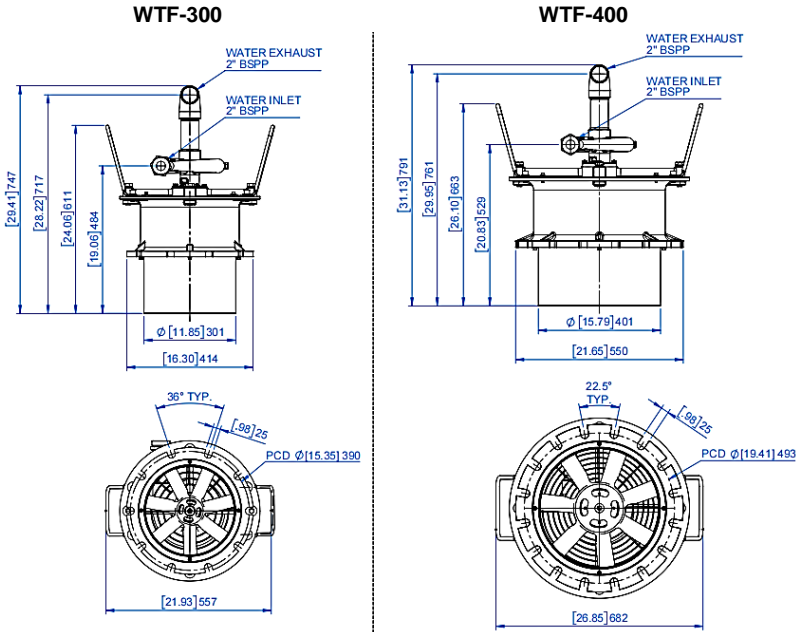


# TECHNICAL DATA

RELEASED: 12/09/2024  
 REVISED:  
 REV: 00

## Water Turbine Fans – WTF-300/ WTF-400

### DIMENSIONAL DATA



NOTE: Dimensions are shown in [inch] mm

### PERFORMANCE DATA

#### Outlet Bore Dia

WTF-300	[11.81inch] 300mm
WTF-400	[15.75inch] 400mm

#### Air Flow

WTF-300	0-220m <sup>3</sup> /min
WTF-400	0-290m <sup>3</sup> /min

#### Water Pressure

WTF-300	0-7kgf/cm <sup>2</sup> (0-100 psig)
WTF-400	0-7kgf/cm <sup>2</sup> (0-100 psig)

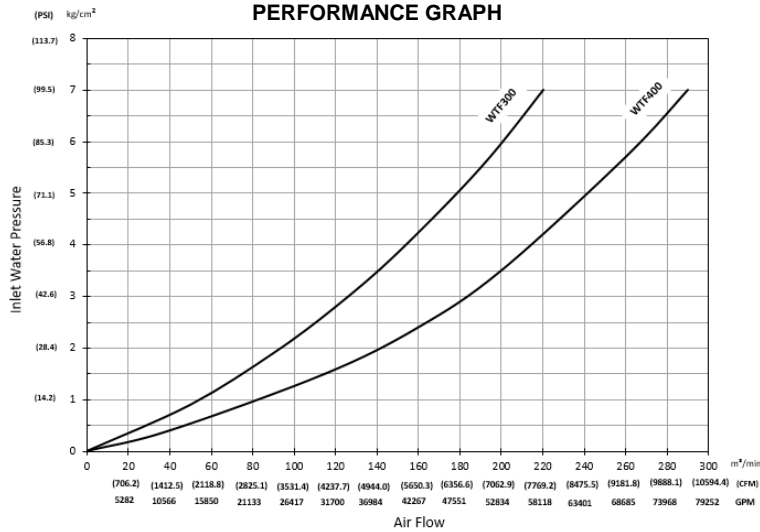
#### Water Consumption

WTF-300	88-189 gpm (333-715 lpm)
WTF-400	105-210 gpm (397-795 lpm)

#### Hose Size

WTF-300	2" BSPP
WTF-400	2" BSPP

### PERFORMANCE GRAPH



### WEIGHTS & FINISH

Water Turbine Fan	Weight	Finish
WTF-300	26 kgs (57 lbs)	Silver
WTF-400	40 kgs (88.2 lbs)	Silver
WTF-300E	26 kgs (57 lbs)	Silver
WTF-400E	40 kgs (88.2 lbs)	Silver
WTF-300S	26 kgs (57 lbs)	Silver
WTF-400S	40 kgs (88.2 lbs)	Silver

### MATERIAL OF CONSTRUCTION

PARTS	MOC	
	WTF300	WTF400
Housing	Aluminium	
Impeller Hsg.	Stainless Steel (CF8M)	
	Brass	
Impeller	Stainless Steel (CF8M)	
Fan	Aluminium	
Inlet/Outlet	Aluminium	
Grill	Stainless Steel (316)	
Fasteners	Stainless Steel (302)	
	High Tensile Steel	