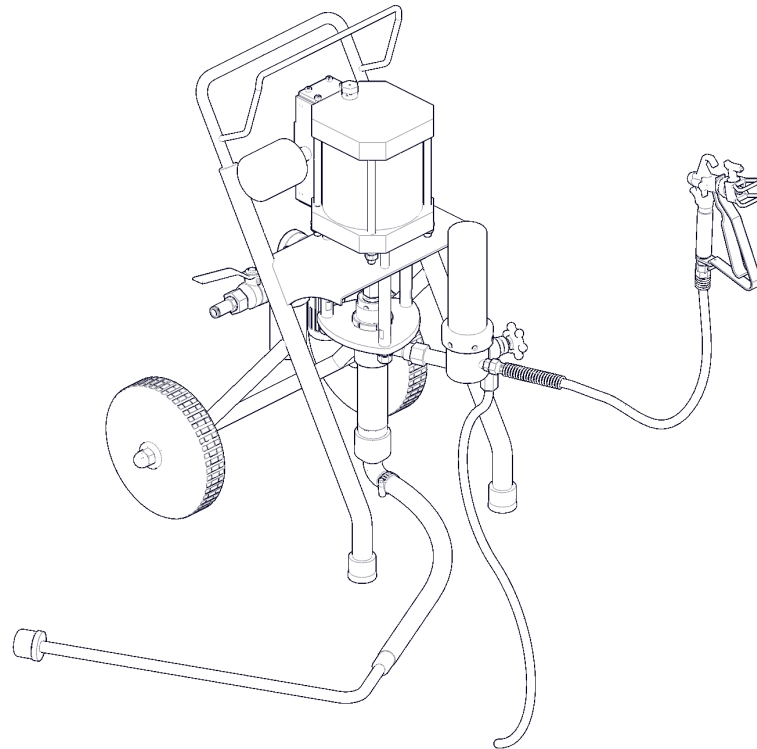




Operation and Maintenance Guide



PPS - 02 / PPS-04

Models	Descriptions
PPS-02	Pneumatic Airless Sprayers
PPS-04	Pneumatic Airless Sprayers

Read this manual carefully before installing, operating or servicing this equipment. It's the responsibility of the employer to ensure this manual is read by the operator. Please preserve this manual.

Table of Contents

3	Introduction
3	Technical Data
3	Safety Instructions
5	Operating Instructions
6	Assembly of components
9	Diassembly and Re-assembly of Pneumaitc Airless Sprayers
14	Troubleshooting
15	Bill of Materials for Pneumaitc Airless Sprayers
17	Exploded View Pneumaitc Airless Sprayers
19	Test Certificate Of Materials, Performance
20	Eu Declaration Of Conformity
21	Warranty Certificate

Introduction

Teryair Air Powered Airless Paint Sprayers are used for marine application has much tougher fitting including specially treated, chromed stainless steel rods @ cylinder which with withstand wear and operate over a longer span of time when pumping highly abrasive or corrosive materials. pressure is 059 MPa (6kgf/cm²).

Technical Data

Specification	PPS-02	PPS-04
Maximum Fluid (Paint) Working Pressure	2300 PSI (16.1MPa) (161 Bar)	3045 PSI (28MPa) (210 Bar)
Air Inlet Connection	1/2" BSP Female	1/2" BSP Female
Gun Connection	1/4" NPS(m)	1/4" NPS(m)
Maximum Tip Orifice	0.11" to 0.017"	0.11" to 0.019"
Fluid Output Rate	2 litres/min (0.439 gpm)	4 litres/min (0.879 gpm)
Maximum Inlet Air Pressure	100 PSI (0.7MPa) (7Bar)	100 PSI (0.7MPa) (7Bar)
Air Consumption Maximum	18 CFM to 25 CFM	18 CFM to 25 CFM
Wetted Parts Material Of Constructio	Stainless Steel SS316 Nickel Plated Carbon Steel, Tugsten Carbide, PTFE	
Note:- Air Consumption is under conditions of spraying Standard Paints. Higher viscosity fluids will require proportionally higher air flow rates.		

Intended Use

High – pressure airless spraying machines are indented to use for the spraying of new coatings or thick-film heavy -duty anti-corrosive coatings which are difficult to operate.

This machine is used in industrial departments such as steel structures, ships, automobiles, railway vehicles, geology, Aeronautics and Astronautics and so on.

Prohibitive use

Any use in an explosive atmosphere is prohibited

Use on materials containing asbestos is prohibited

Use by an underage, untrained or operator who is under the influence of drugs or alcohol.

Use with non genuine spare parts or accessories is prohibited

Use with safety devices un functional or in need of service is prohibited

Safety Instructions

Following symbols are used through out this manual.

Warning

Warning: If not followed could cause personal injuries

Caution

If not followed could result in damage to equipment.

Warning

This manual must be read and the operating instructions carefully followed, because of the high pressure developed, severe injuries can be caused by negligent operation

Warning

Operators under 18 not allowed to operate this Pneumatic Airless Sprayers . Operators must be made familiar with the instructions in this manual before attempting to operate the Pneumatic Airless Sprayers . Ensure that job site is clear of bystanders.

**Warning**

Medical attention
Personnel who sustain injuries caused by high pressure jets MUST be given immediate hospital attention. It's important to apprise the medical attendants of the manner in which the injury has been caused, namely a high pressure jet.

**Caution**

Use only genuine Teryair or Teryair approved accessories.

**Warning**

Completely turn off the machine and disconnect air supply line before attempting any service. Read Assembly and Dis assembly instructions.

Always follow the Pressure Relief Procedure before attempting any repair or service on the equipment.

**Warning**

Safety and protective clothing, eyewear, head-gear, ear protection, gloves and footwear to be worn during operation of this Pneumatic Airless Sprayers. Please see Table C at end of this section.

**Warning**

While starting operation and also during operation there is a considerable kickback force from the Gun due to the high energy generated, be aware of this at all times and keep a firm control on the direction of the spray jet.

**Caution**

Keep the gun trigger locked when not operating.

**Warning**

Take care not to exceed the maximum 7 bar (100 psi) supply air pressure. Use a filter and regulator and lubricator as close to the equipment inlet as operation will allow to ensure a clean and regulated and lubricated air flow.injury.

Fire And Explosion Hazard

Flammable fumes, such as solvent and paint fumes, in work area can ignite or explode. To help prevent fire and explosion:

- Use equipment only in well ventilated area.
- Eliminate all ignition sources; such as pilot lights, cigarettes, portable electric lamps, and plastic drop cloths (potential static arc).
- Keep work area free of debris, including solvent, rags and gasoline. Hold gun firmly to side of grounded pail when triggering into pail.
- If there is static sparking or you feel a shock, stop operation immediately. Do not use equipment until you identify and correct the problem.

Skin Injection Hazard

High-pressure fluid from gun, hose leaks, or ruptured components will pierce skin. This may look like just a cut, but it is a serious injury that can result in amputation. Get immediate surgical treatment.

- Do not point gun at anyone or at any part of the body.
- Do not put your hand over the spray tip.
- Do not stop or deflect leaks with your hand, body, glove, or rag.
- Do not spray without tip guard and trigger guard installed.

Equipment Misuse Hazard

Misuse can cause death or serious injury.

- Do not operate the unit when fatigued or under the influence of drugs or alcohol.
- Do not exceed the maximum working pressure or temperature rating of the lowest rated system component. See Technical Data in all equipment manuals.

- Use fluids and solvents that are compatible with equipment wetted parts. See Technical Data in all equipment manuals. Read fluid and solvent manufacturer's warnings. For complete information about your material request MSDS forms from distributor or retailer.
- Check equipment daily. Repair or replace worn or damaged parts immediately with genuine parts only.
- Do not alter or modify equipment.
- Use equipment only for its intended purpose.
- Route hoses and cables away from traffic areas, sharp edges, moving parts, and hot surfaces.
- Do not kink or over bend hoses or use hoses to pull equipment.
- Use extreme caution when cleaning or changing spray tips or nozzle. If the spray tip or nozzle clogs while spraying, engage the gun/valve safety latch immediately. Always follow the DE-pressurizing Procedure before attempting any repair or service on the equipment.
- Keep children and animals away from work area.
- Disengage the safety latch of the gun.
- Hold a metal part of the gun firmly to a grounded metal waste container and trigger to relief the fluid pressure.

Warning

Eye and face and ear protection must be worn at all times during operation of the High Pressure Washer. There is a chance of flying debris from the jobsite and the quality of wear should be such to protect against such flying debris such as flakes of the removed layer.

Warning

Operators must wear helmets of suitable strength at all times. Helmet must be able to withstand 10G in 8ms without fracturing.

Warning

Suitable heavy duty gloves must be worn at all times during operation.

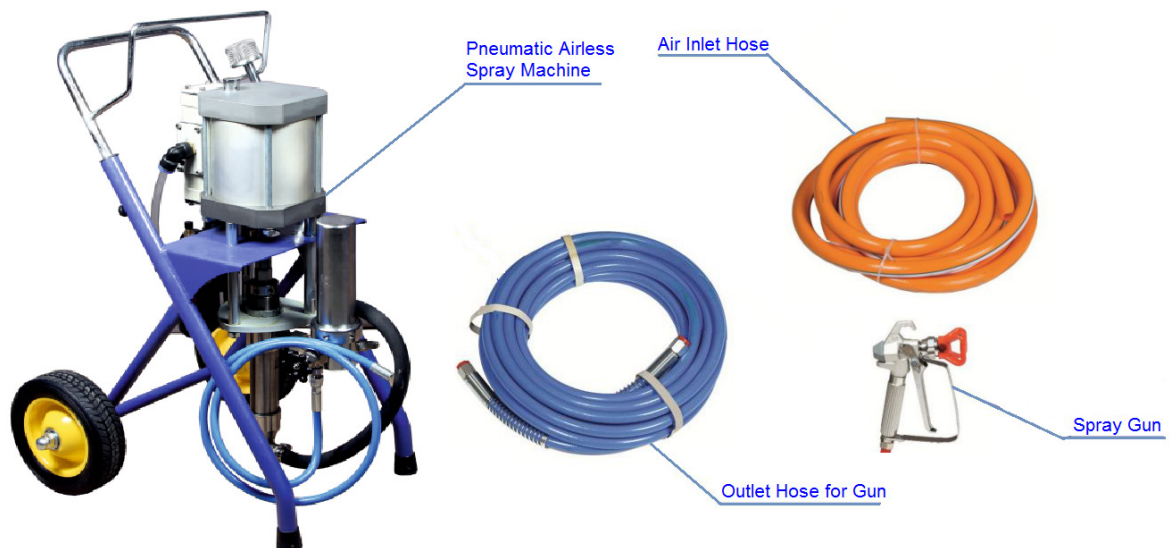
Warning

Waterproof heavy duty outerwear and Shoes with toe cap protection are a must during operation

Operating Instructions

Un packing

Identify all the components as below, contact your supplier if any parts are missing or damaged. Be aware that minor visual differences may be noticed between actual motor/frame/pump and High pressure hoses because this components vary depending on the model ordered. This illustration is for identification only. Unless specially requested the motor, pump and frame are factory fitted to each other.



Assembly of components

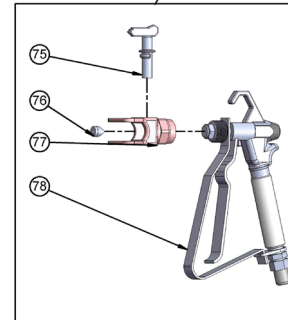
- Connect one end of the fluid outlet hose (35) to High- Pressure Cylinder(C). Tighten the connectors fully and make sure it is leak proof.
- Connect other end of the fluid outlet hose (35) to gun assembly Assembly (D). Tighten the connectors fully and make sure it is leak proof. Engage the safety latch in lock condition.
- Now rotate the swivel nut of tip holder (77) counterclockwise to detach from the gun. Insert the tip support (76) in the Tip holder (77) and put the tip (75) from top. Make sure the concave portion of tip support (76) matches with tip (75). Now tighten the swivel nut of tip holder (77) and make sure its leak proof.
- Now connect the air hose to the nipple (61) of ball valve. Make sure the connection is leak proof.

Starting the Pneumatic Airless Sprayers

- Connect air hose to main air supply and make sure its leak proof.
- Now dip the metal portion of fluid inlet hose assembly (52) in the fluid container. Also put the open end of drainage hose (69) in the fluid container.
- Now rotate the drainage valve in (59) in clockwise direction to close it.
- Now check the air regulator of FRL (74) (Filter-Regulator-Lubricator) is in close condition.
- Open the ball valve (60) slowly to confirm the FRL (74) in close condition.
- Release the safety latch and trigger the gun (D) in a metal waste container and slowly open the regulator of FRL (74) until the Air cylinder (A) starts running. Run the Air cylinder (A) slowly until the air from the fluid cylinder assembly (C) purged, release the gun trigger, and engage the safety latch - the air cylinder will start and stop as the

gun is open and closed. The air cylinder runs and stops automatically as the system demands.

- Always use the lowest pressure necessary to get the desired output.



Conditions for use

1. Before using, first check if all bolts, nuts, pipe connectors, and the connecting nuts and hose clamps of the suction system have been tightened. Learn carefully about the opening and closing direction of ball valve on each pneumatic circuit, and the rotating directions of FRL and drainage valve (for the FRL, turn the regulator clockwise to open and anti-clockwise to close.) The capacity of the equipped air compressor must be large enough.
2. To ensure safe use, the maximum air intake pressure must not exceed 10kgf/cm² and is better to be kept at a value as low as possible as long as the atomization of the coating is good.
3. During the spraying, the spray gun should be pointed vertically or almost vertically at the work piece being coated; and the moving direction should be parallel to the surface being coated. The speed should be even to avoid sagging.
4. The fluid to be sprayed must be kept clean without particulate impurities. If the fluid is unclean it must be run through a filter containing 2mm wire

mesh depending on the fluid viscosity. Also it is preferred and strongly recommend to have contentious stirring of the fluid (paint) to keep the fluid in homogeneous state for uniformity in applied coating.

5. During the spraying process, the trigger safety of spray gun should be locked in time if the nozzle is being cleaned or replaced or the spraying is stopped. Under no circumstances should the spray gun be pointed at the operator or others, in case the trigger is accidentally pressed causing the high -pressure coating to spray and injure someone. If the spray gun can still be opened after the trigger safety has been locked, the small nut at the end of the draw bar of the gun's valve plug should be adjusted. If the nozzle is blocked, it should be immersed and cleaned with solvent, Or cleaned carefully with a brush. Do not poke it with hard things as this may damaging the nozzle.
6. If a rotating nozzle issued during spraying process and the nozzle is slightly blocked, just turn the handle 180 degrees and trigger the spray gun, the dirt in the nozzle will be blown off by the hydraulic pressure to the high-pressure coating itself. If the nozzle is completely blocked, the connecting nut of the nozzle has to be slightly loosened. The handle can only be turned after the coating has been depressurized. If the handle is turned by force while the coating is still pressurized, the handle is easily damaged. While using standard nozzle or rotating nozzle, a sealing ring has to be placed at the joint of the nozzle and the spray gun.
7. If the sprayer has worked continuously for a long time and a severe " frosting " phenomenon has appeared inside and outside the silencer, a water -separating air dryer can be installed before the compressed air enters the sprayer.
8. If the spraying operation is finished or will not be used for a long periods of time, the suction pipe should be pulled out of the coating tank in time. The residual coating

in the coating pump, the suction pipe the high-pressure hose and the spray gun should be discharged by running the sprayer idly. Then the whole coating hydraulic loop including the coating pump, the suction pipe, the discharge valve, the high- pressure hose, the airless spray gun and the nozzle should be cleaned by running the sprayer idly with dilution agent or solvent.

Installation & Warning

- This equipment must only be operated by trained personnel.
- Every equipment has a specific use. Please consult the agent if you have any questions.
- Never attempt to modify the equipment, nor exceed the maximum working pressure of the system.
- Check the equipment every day. Maintain or replace old or broken parts immediately.
- Read the warnings provided by the manufactures of coatings and solvents. Make sure that the used coatings and solvents are applicable to the contact parts of the equipment.
- Do not drag equipment with the high-pressure hose, nor put the high- pressure hose in places of heavy traffic, on sharp edges, on moving objects and on hot surfaces.
- Follow all relevant laws and regulations of local governments and the country regarding fire prevention, electricity usage and safety.
- Do not point the spray gun at anybody or any part of the body. Do not put your hand or finger on the spray gun, nor block the crack or leak point with your hand, body, glove, or duster cloth.
- The injury caused by high-pressure coating sprayed on to the skin may appear just as a cut, but it is actually a severe injury. The victim should go to see a professional doctor immediately.

- Before operating the equipment, please tighten all connectors and make sure that the trigger safety of spray gun can be operated safely.
 - When the spraying is stopped, please engage the safety latch of spray gun. Also open the drainage valve to release the fluid to container.
 - Check the high-pressure hose and connecting parts every day. Replace broken parts immediately. Do not repair broken high-pressure connecting parts. In which case the whole pressure hose must be replaced.
 - While the pressure is not released and the intake switch is opened, do not loosen the connecting parts among coating pump, high-pressure hose and spray gun.
 - The equipment must be well grounded while being used. If there are electrostatic sparks or you receive an electric shock, please stop spraying immediately until you find out the cause and eliminate the trouble.
 - Keep the circulation of fresh air to avoid the accumulation of the flammable gases in solvents and coatings during spraying operations.
 - In the spraying area, naked fire is forbidden. Do not smoke in the spraying area. Do not turn on or off any light during spraying operations
 - Do not start the gasoline engine in the spraying area.
 - Always wear protective glasses, gloves, clothing and mask recommended by the manufacturers of coatings and solvents.
- All Fluid spray hoses must have spring guard. The spring guard help protects the hose from kinks or bends at or close to the coupling which can result in hose rupture.
 - Tighten all fluid connections securely before each use.
 - Never use a damaged hose. Before the use check the entire hose for damage and movement of hose couplings. If any of the condition exists replace with new one immediately.

Equipment Maintenance

1. To avoid damaging the high-pressure hose, while using it, do not over bend, stepped on, stress or roll by wheels.
2. To ensure good filtering functions, strainers on the equipment must be maintained and cleaned regularly (strainers on coating sucker, pressure storing filter, and the inner tube of the pikestaff)
3. When the nozzle hole is blocked, do not stab it with a needle, in case the nozzle lip is damaged and the atomization quality is affected.
4. The pump rods of air-driven pump and plunger pump should be injected with lubricant regularly.
5. The oil cup in the air-driven dual parts must be filled with 20# engine oil regularly.

Hose Safety

High pressure fluid in the hoses can be very dangerous. If the hose develops a leak, split or rupture due to any kind of wear, damage or misuse, the high pressure spray emitted from it can cause fluid injection injury or other property damage.

Diassembly and Re-assembly of Pneumaitc Airless Sprayers

DE-pressurizing Procedure

To reduce the risk of serious injury always follow this procedure whenever you shut off the equipment or stop spraying.

- Engage the safety latch of spray gun. Rotate the latch clockwise as shown (Refer Fig. 1).
- Cut off the air supply by closing the ball valve (Refer Fig. 2).
- Connect the drain pipe to the fluid container and open the drainage valve gently in anti-clockwise rotation (Refer Fig. 3).
- Disengage the safety latch of the gun.
- Hold a metal part of the gun firmly to a grounded metal waste container and trigger to relief the fluid pressure.
- Engage the safety latch again.
- Leave the drain valve open until you are ready to spray again.

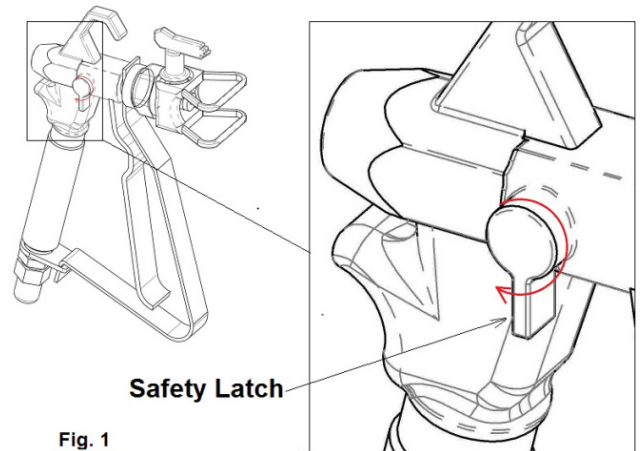


Fig. 1

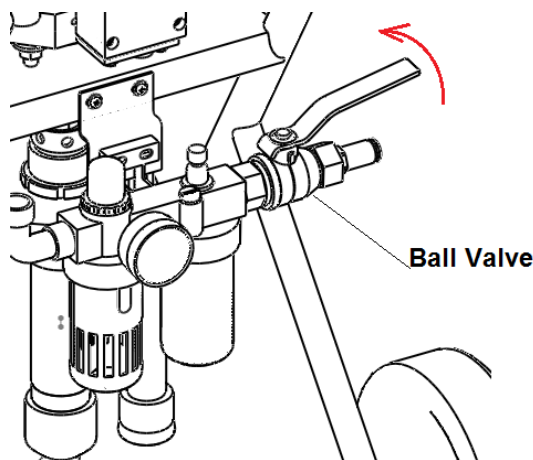


Fig. 2

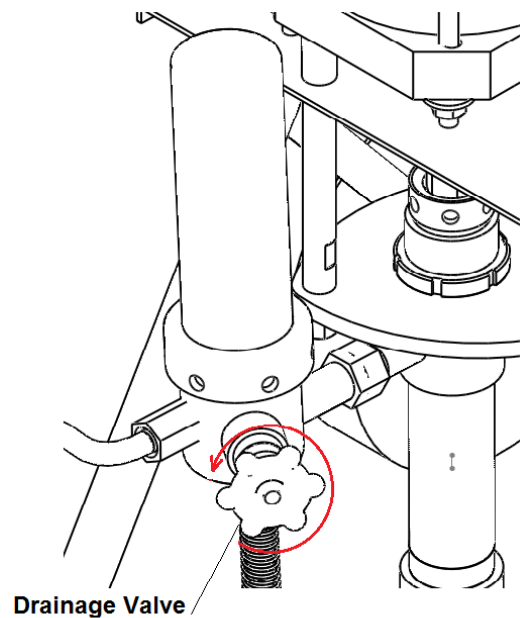


Fig. 3

Clearing a blocked tip

1. DE-pressurize the system.
2. Loosen the tip support (76) Refer page no. 3. and remove the tip (75).
3. Now dip the tip (75) in a cleaning solvent and later try to clear it by pressurized air by using a air gun from the discharge side.
4. If still the blockage remains replace it with new one. Don't try to use any sharp object to clear the blockage as it will damage the tip orifice.

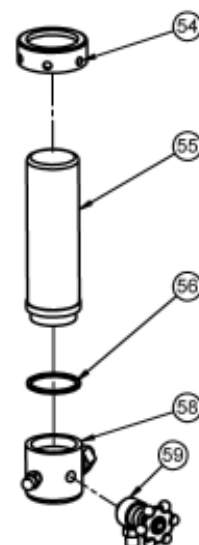


Fig. 4

Clearing a blocked hose

1. DE-pressurize the system.
2. Detach the outlet hose (35) from gun (D) and fluid cylinder assembly (C).
3. Open the fluid cylinder assembly (C). Unscrew the housing nut (54) by using spanner supplied with the equipment.
4. Clean the parts and hose with solvents. Blow the outlet hose by pressurized air pressure by a air gun.
5. If still the blockage remains replace outlet hose with new one.

Grounding the system

Static electricity is created by the flow of fluid through the pump and hose. This static electricity can generate spark which is a source of igniting fumes from solvents and the fluid being sprayed. This will lead to fire or explosion

1. The air supply hose and fluid delivery hose have to be anti-static.
2. The container which holds the fluid, spray gun and the job to have a proper grounding.
3. Loosen one the nut (25) mounting plate (22) shown in Assembly and dis-assembly procedure.
4. Use proper resistance wire to ground the Airless sprayer and tighten the nut (25). The other end of wire must be grounded properly.
5. If you experience any static sparking or even slight shock while using the Airless sprayer, Stop spraying immediately. Check the entire system for positive grounding before starting.

Post-use cleaning and storage

After using the Pneumatic Airless Sprayer the internal portions must be cleaned as the remaining fluid will tend to dry and jam up the system.

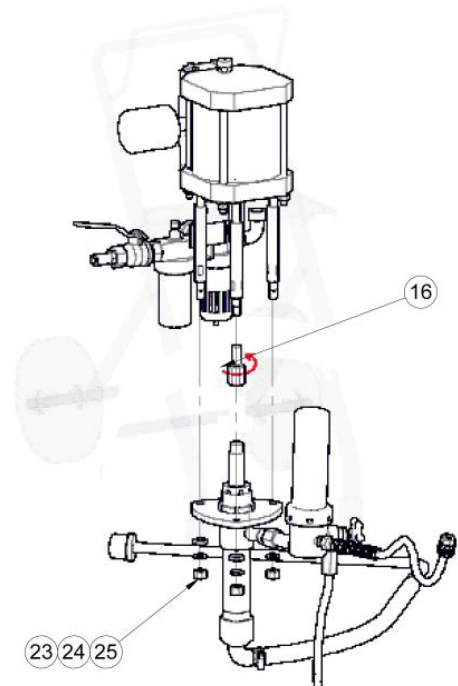
1. After completing the relevant job DE-pressurize the system and put both the inlet hose and drainage hose in a cleaning solvent such as thinner and start the fluid spray. Point the gun in a empty container and operate for few minutes.
2. Release the solvent by opening the drainage valve. DE-pressurize the system again.
3. Now put the inlet hose and drainage hose in a oil container (20# engine oil) and start the same procedure as above. DE-pressurize the system.
4. Now clean the equipment with clean cloth and store it.

Pre-use cleaning and priming

1. Put both the inlet hose and drainage hose in a cleaning solvent such as thinner and follow the starting procedure (Mentioned in page 4) to start the fluid spray. Point the gun in a empty container and operate for few minutes. DE-pressurize the system.
2. Then put the inlet hose and drainage hose in the relevant fluid to start the desired work.

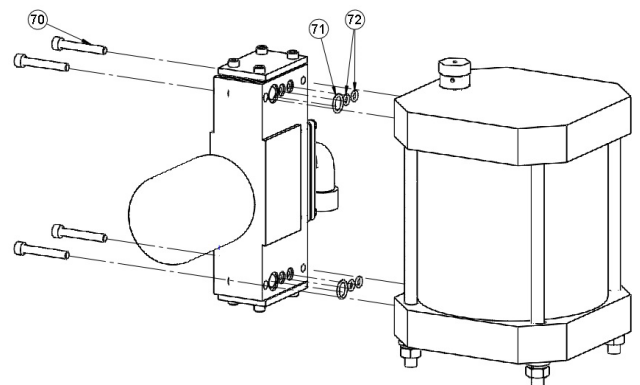
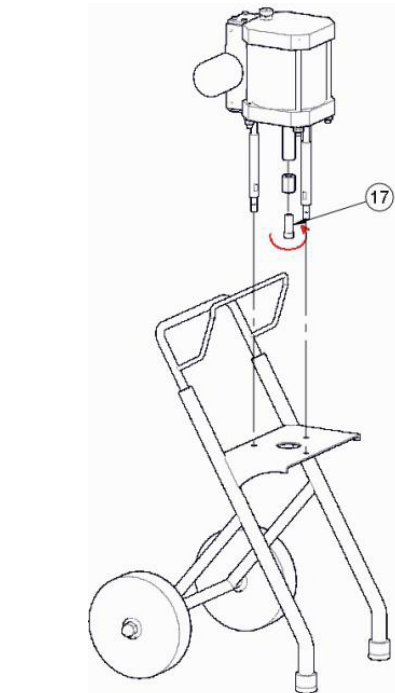
Assembly and dis-assembly procedure

1. First unscrew Hex. adapter (16) in anti-clockwise as shown in figure.
2. This will help to detach the High- Pressure Cylinder(C) from the Pneumatic cylinder (A). Now unscrew the nut (25) and remove spring washer (24), plain washer (23).
3. Now remove the High- Pressure Cylinder (C) with accessories as shown.



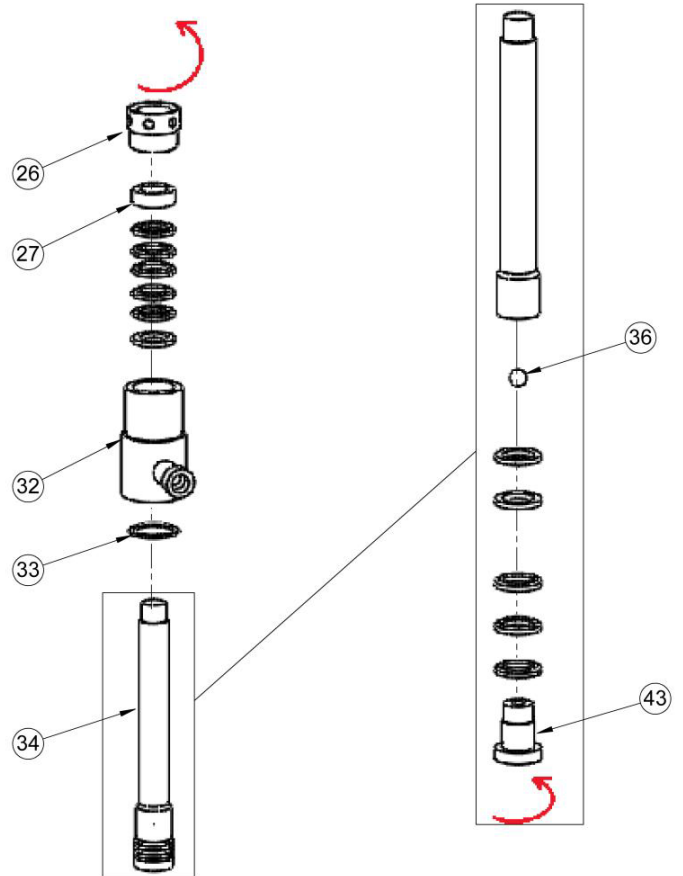
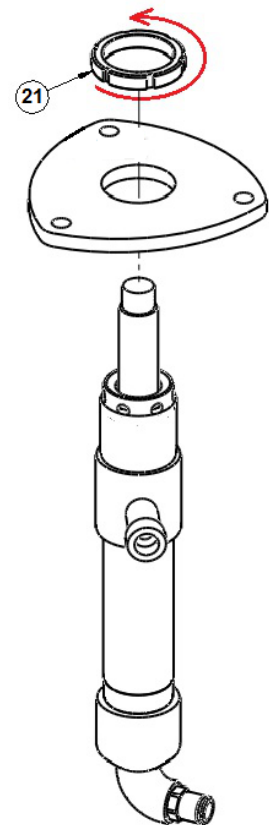
Dis-assembly of Pneumatic cylinder

1. Now use a allen key spanner to remove the Allen bolt (17) from the Hex. adapter (16) as shown.
2. Now remove the studs (20) from the Pneumatic cylinder (A).
3. Now remove the valve assembly (B) by removing Allen bolts (70). Collect the orings (71) & (72) and keep it safely.
4. Now remove the nut (15), spring washer (14) and plain washer (13) respectively as shown in exploded view (Ref. Page 11). Now unscrew the studs (7) from the Cylinder cover (6).
5. Now with gentle tap remove Cylinder cover (6).
6. Now push the piston with rod (11) from the rod side and remove out of the cylinder (9).
7. Now remove the cylinder (9) with gentle tap.
8. You can remove the Orings (57) from cylinder base plate (12) with the help of a flat screw driver.
9. Change the Piston seal (10) and O ring (57).
10. Now assemble the same in reverse manner.



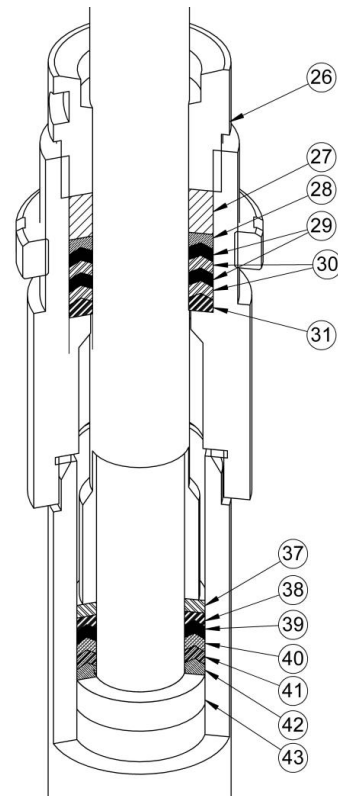
Dis-assembly of High pressure cylinder

1. Unscrew the lock nut (21) with help of spanner supplied with the equipment.
2. Now with the help of spanner remove Upper cap (26) from the Pump base (32).
3. Now rotate the Pump body (44) and pull it.
4. Now you can see the Pump rod (34) with seals.
5. Now pull the Pump base (32) upward. Now you see the seals with a supported bush (27) in the pump base.
6. Remove the bush (27) and the seals. Change the worn out rod seals with new one. While assembling the same maintain the same sequence as original (Refer Change of seals).
7. Now remove the rod stem (43) and take out the worn out piston seals and replace with new one. While assembling the same maintain the same sequence as original (Refer Change of seals).
8. After changing the seals assemble in reverse manner.



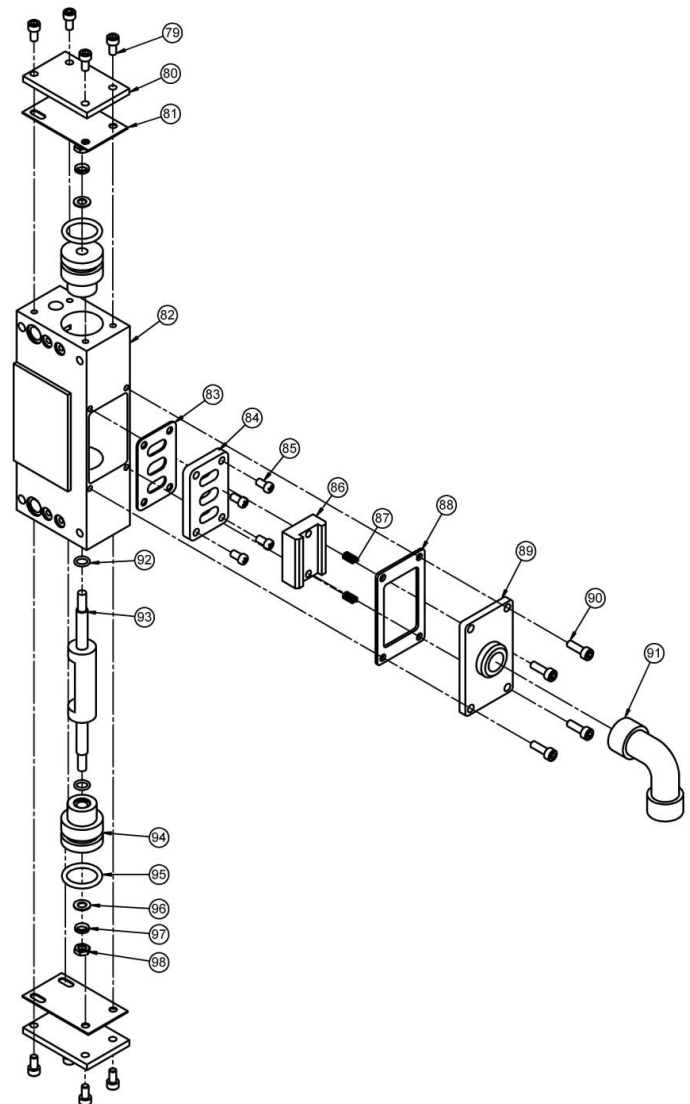
Change of seals

- There are two sets of seals. One set is rod seals (28 ~31) supported by bush (27) and the other set (38~42) is piston seal used in the high pressure pump. Each set of seals are to arrange as per original only. Refer the exploded view for its pattern.
- For Shaft seals all the seals to be located in the pump base (32).
- For Piston seals all the seals are located on the Pump rod (34).



Dis-assembly of Valve assembly

1. Unscrew the allen bolt (79) and remove covers from both side.
2. Now unscrew allen bolt (90) and remove air intake cover (89) with elbow (91) along with gasket (88).
3. Rotate the slide block (86) and remove it with springs (87).
4. Now push the pistons assembly from any one side. Unscrew nut (98), spring washer (97) and plain washer (96).
5. Remove the piston (94) with its oring (95). Take out the o ring (92).
6. Push the assembly on other side and repeat the same procedure.
7. Now take the piston rod (93) out of the assembly.
8. Unscrew the allen bolt (90) to remove the distributing plate (84) and gasket (83).
9. Replace worn out parts and assemble in reverse manner. Care must be taken during assembly for piston not to damage the oring (95).



Troubleshooting

Generally, the faults of airless sprayer can be divided into two types; faults in pneumatic system and faults in coating system. If a fault occurs, it's prohibited to dismantle blindly. The fault should be analyzed and eliminated step by step as shown in the following table. Before that the pressure switch should be dismantled and the air intake ball valve should be closed.

Serial No	Description		Causes
1	Airless Sprayer does not start	Insufficient air supply	Ensure adequate air, See Technical Specifications, Ideally air must be delivered via a hose of not less than 20mm Internal diameter. The pressure and flow rate must be available at the input of the equipment and not on the compressor output. Air pressure can drop considerably in long supply lines.
		Clogged / Blocked Spray tip or Hose	Clean Tip or Hose, refer Clearing block tip procedure on page 5.
		Jammed Pump Rod, Fluid side	Refer Dis-assembly of High pressure cylinder on page 7 followed by change of seals.
		Jammed Piston, Air side	Refer Dis-assembly of High pressure cylinder on page 7 followed by change of seals.
		Malfunctioning Air Valve	Refer Dis-assembly of Valve assembly on page 8.
2	Sprayer operates but out put is low.	Insufficient air supply	Ensure adequate air, See Technical Specifications, Ideally air must be delivered via a hose of not less than 20mm Internal diameter. The pressure and flow rate must be available at the input of the equipment and not on the compressor output. Air pressure can drop considerably in long supply lines.
		Incorrect Tip Selection	Match tip to fluid parameters, especially viscosity of fluid.
		Hose or Gun is partially blocked	Clean Tip or Hose, refer Clearing block tip procedure on page 3.
		Incorrect fluid viscosity	Ensure correct viscosity as per tip parameters.
		Bubbles in fluid output	Suction line connections not properly tightened, Re-check and tighten or replace worn or damaged connectors.

Generally speaking, the trouble -shooting should be done step by step. At first, presume some parts are normal and the others are not , and check the parts you think are faulty.If the checked parts are normal, check other parts, until all faults are eliminated.

Caution: Before the trouble-shooting and maintenance operation, the air intake ball valve must be closed and the system must be depressurized by opening the discharge valve.

Bill of Materials for Pneumaitc Airless Sprayers

Illustration Number	Part Number	Description	Qty
1	758 27 01	One Way Valve Cover	2
2	758 40 01	O' Ring	2
3	758 90 01	Plain Washer	2
4	758 51 01	Spring	2
5	758 25 01	Check Valve	2
6	758 10 01	Cylinder Cover	1
7	758 21 01	Stud	4
8	758 40 02	O' Ring	2
9	758 26 01	Cylinder Body	1
*10	758 40 03	Piston Seal	1
11	758 98 01	Piston With Rod	1
12	758 10 02	Cylinder Base Plate	1
13	758 90 02	Plain Washer	4
14	758 90 03	Spring Washer	4
15	758 90 04	Nut	4
16	758 90 05	Hex Adapter	1
17	758 90 06	Allen Bolt	1
18	758 24 01	Bush	3
19	758 31 01	Frame Assembly	1
20	758 21 02	Stud	3
21	758 27 02	Lock Nut	1
22	758 31 02	Mounting Plate	1
23	758 90 07	Washer	3
24	758 90 08	Spring Washer	3
25	758 90 09	Nut	3

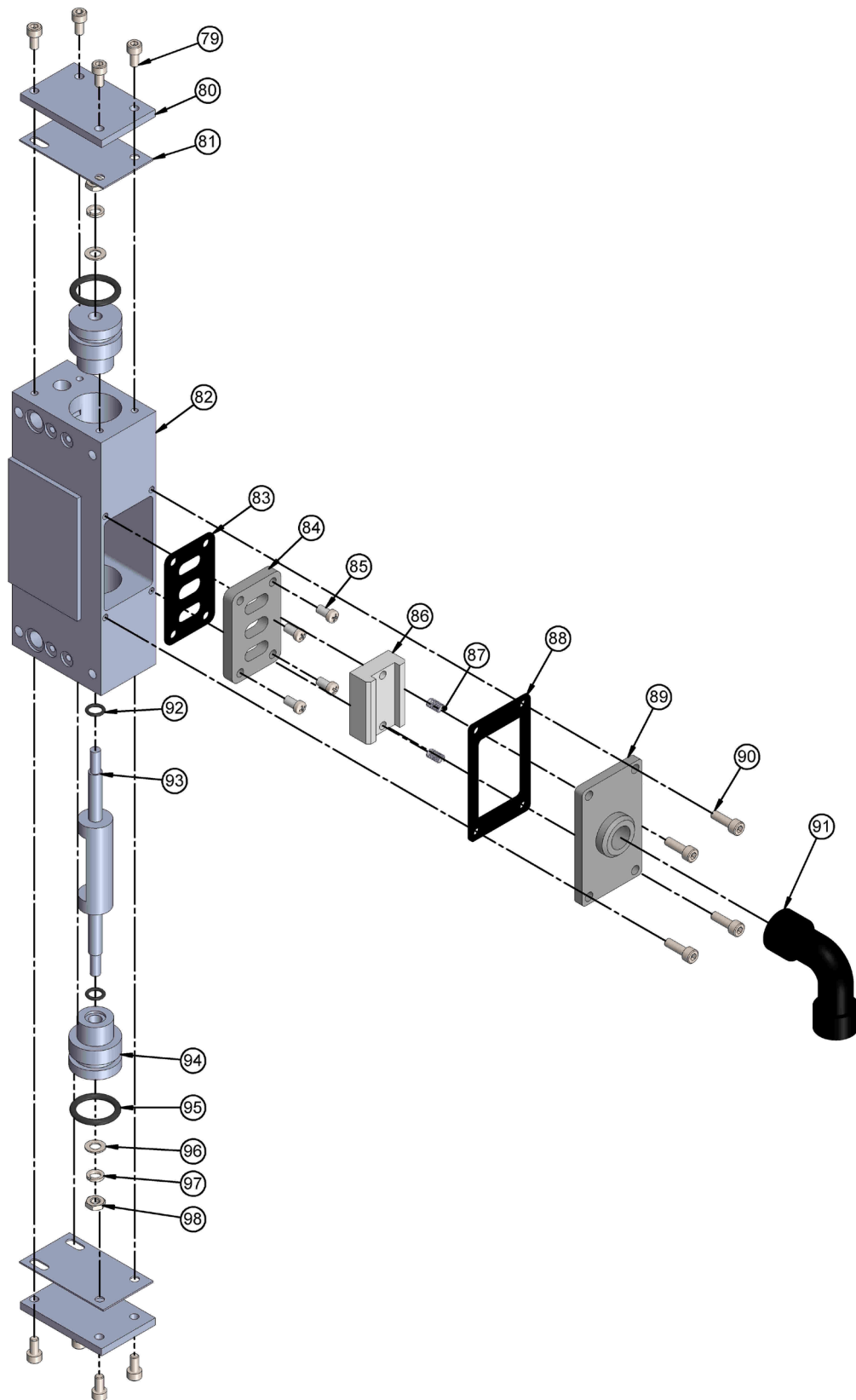
Illustration Number	Part Number	Description	Qty
26	758 27 03	Upper cap	1
27	758 08 01	Bush	1
*28	758 36 01	Seal	1
*29	758 40 04	V' Seal	2
*30	758 36 02	V' Seal PTFE	2
*31	758 36 03	Seal PTFE	1
32	758 27 04	Pump Base	1
33	758 36 04	Sealing Ring	1
34	759 27 01	Pump Rod	1
35	758 50 14	fluid outlet hose	1
36	758 50 01	Steel Ball	1
37	758 27 06	Sealing Pressure Plate	1
*38	758 36 05	Seal	1
*39	758 36 06	V' Seal PTFE	1
*40	758 08 02	V' Seal	1
*41	758 36 07	V' Seal PTFE	1
*42	758 36 08	Housing pin	1
43	758 27 07	Rod stem	1
44	759 27 02	Pump Body	1
45	758 36 09	Packing Washer	1
46	758 90 10	Circlip	1
47	758 50 02	Steel Ball	1
48	758 27 09	Suction Valve Body	1
49	758 50 03	Elbow	1
50	758 50 04	Hose Nipple	1

Bill of Materials for Pneumaitc Airless Sprayers

Illustration Number	Part Number	Description	Qty
51	758 50 05	Hose Band	1
52	758 98 02	Hose Assembly	1
53	758 50 06	Strainer	1
54	758 27 10	Housing Nut	1
55	758 27 11	Pressure String Cylinder	1
56	758 36 10	Gasket	1
57	758 40 12	O' Ring	2
58	758 27 12	Main Body of Pre. Res.	1
59	758 50 07	Drainage Valve	1
60	758 50 13	Ball Valve	1
61	758 50 12	Hose Nipple	1
62	758 50 10	PU Tube	1
63	758 90 21	Screw	2
64	758 90 19	Plain Washer	2
65	758 90 18	Hex Nut	2
66	758 21 05	Stud for Wheel	1
67	758 50 15	Wheel	2
68	758 90 22	Dome Nut	2
69	758 50 16	Over flow Hose	1
70	758 90 15	Socket Head Bolt	4
71	758 50 08	Silencer	1
72	758 40 08	O' Ring	4
73	758 40 07	O' Ring	2
74	758 50 11	FRL	1

Illustration Number	Part Number	Description	Qty
75	758 50 20	Tip	1
76	758 50 19	Tip support	1
77	758 50 18	Tip holder	1
78	758 50 17	Gun	1
79	758 90 11	Allen Bolt	4
80	758 31 03	Cover	1
81	758 40 05	Seal	1
82	758 10 03	air Distributing Body	1
83	758 40 10	Gasket	1
84	758 31 04	Air Distributing Plate	1
85	758 90 16	Screw	4
86	758 08 03	Slide Block	1
87	758 51 02	Spring	2
88	758 40 11	Gasket	1
89	758 31 05	Air Intake Cover	1
90	758 90 17	Allen Bolt	4
91	758 50 09	Elbow	2
92	758 40 09	O' Ring	2
93	758 21 04	Air Distributing Piston Rod	1
94	758 20 01	Air Distributing Piston	2
*95	758 40 06	O' Ring	2
96	758 90 14	Plain Washer	2
97	758 90 13	Spring Washer	2
98	758 90 12	Nut	2

Exploded View Pneumatic Airless Sprayers



EU DECLARATION OF CONFORMITY

We hereby certify that the Listed Product stipulated below comply with all relevant provisions of the machinery directive (2006/42/EC) and the national laws and regulations adopting this directive.

Description : **Pneumatic Airless Sprayers**

Model Number : **PPS Series**

Is in conformity with the provisions of the following European Directives: (2006/42/EC) Machinery Safety and Harmonized standards

ISO 12100-1: 2010: Safety of Machinery –general Principles for Design –Risk Assessment and Risk Reduction.

Registered Office : TERYAIR EQUIPMENT PVT. LTD.
A-1, Tirupati Udyog Nagar, Sativali Road,
Vasai(E), Palghar – 401 208. Maharashtra, India

Web site : www.teryair.com

Works : A-1, Tirupati Udyog Nagar, Sativali Road, Vasai East,
Palghar – 401208, Maharashtra, India.

CE certification registration no – C E 16831

Issued by – BMQR Certifications Pvt Ltd.
www.cemarking-india.com

Valid Till – 03/11/2025

Signed for and on behalf of



TERYAIR EQUIPMENT PVT. LTD.

Place of Issue : Vasai



Warranty Certificate

Every product manufactured by Teryair
is built to meet the highest standards of quality.

Teryair warrants that the Products, accessories and parts manufactured or supplied by the company be free from defects in material and workmanship for a period of six months from date of Teryair authorized dealer invoice to customer, or one year from date of Teryair invoice to dealer, whichever is earlier. Failure due to normal wear, misapplication, or abuse is, of course, excluded from this warranty.

Since the use of Teryair products and parts is beyond our control, Teryair cannot guarantee the suitability of any product or part for a particular application and Teryair shall not be liable for any consequential damage or expense arising from the use or misuse of its products on any application. Teryair does not warranty bought out products or components such as electric motors and hardware but will assist in directing warranty queries to the dealer/manufacturer responsible. Teryair responsibility is limited solely to replacement or repair of defective Teryair products or components.

Dealer/End User shall have no right or remedy and Teryair shall have no liability or obligation under the warranty, if: (i) a Product is altered, changed, modified or tampered with in any way, (ii) a Product is damaged after deposit with the transporter for shipment; (iii) a Product is not properly preserved, packaged, stored, processed or handled after receipt; (iv) a Product is not used and maintained in accordance with Teryair's recommended operating and maintenance manuals, instructions and procedures, if any; (v) a Product is not properly incorporated or installed in, or not properly combined with, an Other Product; (vi) the issue with a Product is directly or indirectly attributable to, or directly or indirectly results from or arises out of, a failure, substandard performance or other issue with another product, material, component or part not supplied by Teryair; (vii) the issue with a Product is directly or indirectly attributable to, or directly or indirectly results from or arises out of, compliance with any design, specification or other specific requirement of Dealer/End User; (viii) a Product is used in a manner, with a substance or for a purpose other than the normal manner, substance and purpose for which it is intended or is otherwise subjected to abnormal use or service; (ix) a Product is subjected to a power surge, brown out or other similar occurrence; (x) the issue with a Product is directly or indirectly attributable to, or directly or indirectly results from or arises out of, normal wear and tear of such Product (including, without limitation, things such as worn seals, diaphragms, balls, O rings, gaskets, chisels, cutters, hoses and other such wearing components; (xi) the issue with a Product is directly or indirectly.

Model Number : PPS Series

A handwritten signature in blue ink, appearing to read "M. Yadav", is written over a horizontal line.

M Yadav, Q.A. Manager
(Company Seal)

This page is intentionally
Left blank.